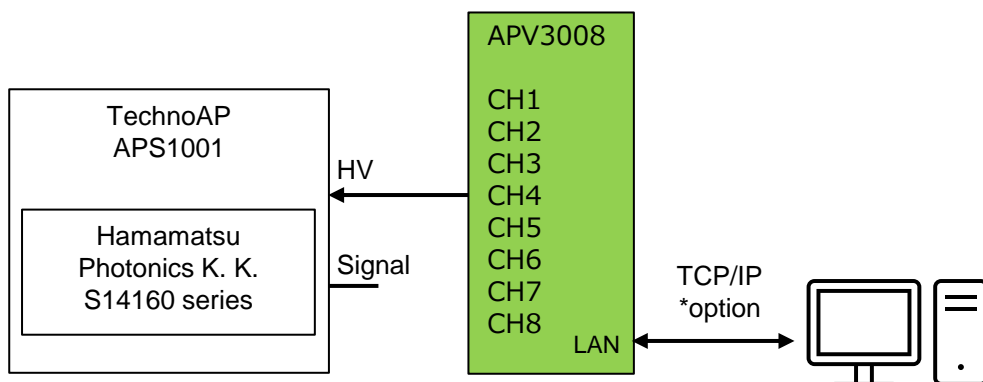


APV3008 is High Voltage Power Supply board for MPPC

A maximum of 8 channels of HV output is possible on the front panel, and after setting the voltage, **the temperature-compensated HV voltage is applied to each channel by the HV ON / OFF switch.**

Device configuration example



Specifications

Output Voltage	Maximum output voltage limit by multiple rotary switches Adjustable last digit and one decimal place Both 0: +40.0 [V] (minimum value) Both 9: + 49.9 [V] (standard specification) *Customizable up to +89.9 [V]
Temperature compensation function	Output voltage value correction function by each CH and temperature sensor
Output control switch	HV output ON / OFF switch REMOTE selector switch for function expansion *optional
High voltage output connector	R03-R05F connector x 8 Pin assignment A: + HV B: HV GND C: Temp D: + 5V E: GND
Communication I/F	Ethernet (TCP / IP) *optional
Dimensions	1 width VME6U, 20 (W) x 262 (H) x 187 (D) mm
Weight	Approx. 280g
Current consumption	+5V: 0.5 A Max.

*Images is for illustration purpose.

*Please note that contents may change without prior notice.

