

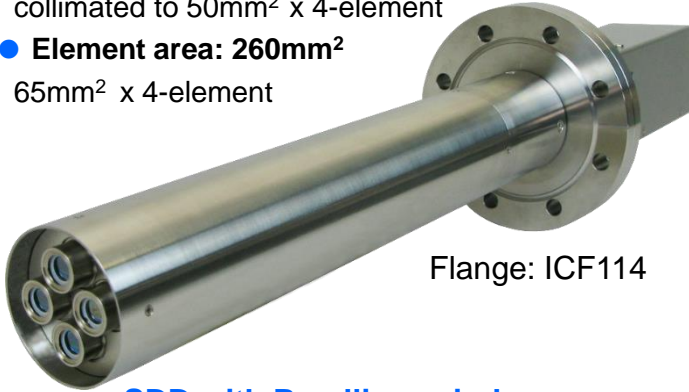
XSSD50-04BE-SYS

SYSTEM

This system realize high-sensitivity by multiple SDD with **high-count rate and high-energy resolution!** It is possible by Transistor Reset Processing and Digital Signal Processing.

10⁻⁵ Pa
Corresponding Vacuum

- Sensitive are: **200mm²**
collimated to 50mm² x 4-element
- Element area: **260mm²**
65mm² x 4-element



Flange: ICF114

SDD with Beryllium window
Model: XSSD50-04BE



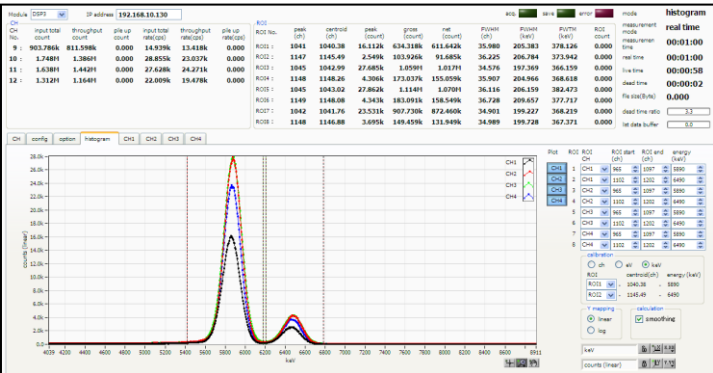
Model: APU504X

DSP for SDD
ADC: 4ch., 100 Msp/s, 16-bit

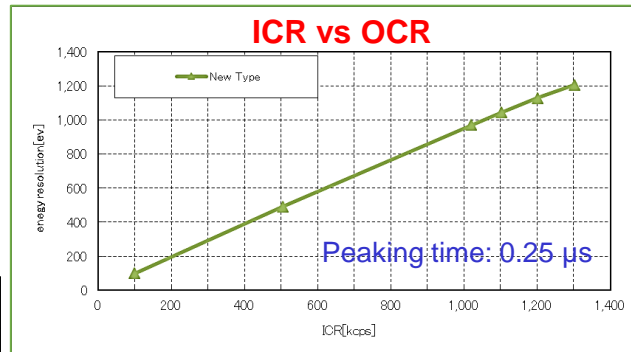
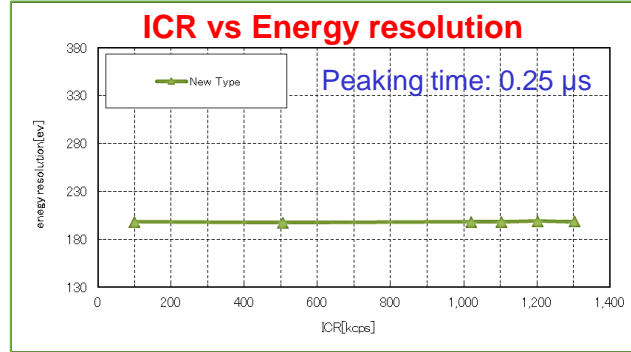


Model: APU3900

Power supply for SDD
Power supply: -200V, ±5V, +3.3V



Application window for data collection



Option example:
Transport with bellows corresponding to the vacuum

CUSTOM MADE
for your needs!

Specifications

Functions	Histogram, List, Waveform, ROI-SCA
Energy resolution	244eV@5.9keV MnKa *OCR: 1000k, Peaking time: 0.25μs
Throughput	Max. 150kcps @ 2us Max. 1000kcps @ 0.15us
Communication I/F	Gigabit Ethernet, TCP/IP
Option	Z-axis movement mechanism, UHV valve
Accessories	Application for data acquisition, Sample program, Instruction Manual

*Images is for illustration purpose.
*Please note that contents may change without prior notice.

